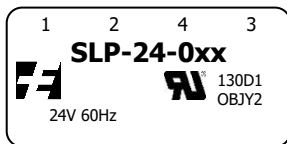
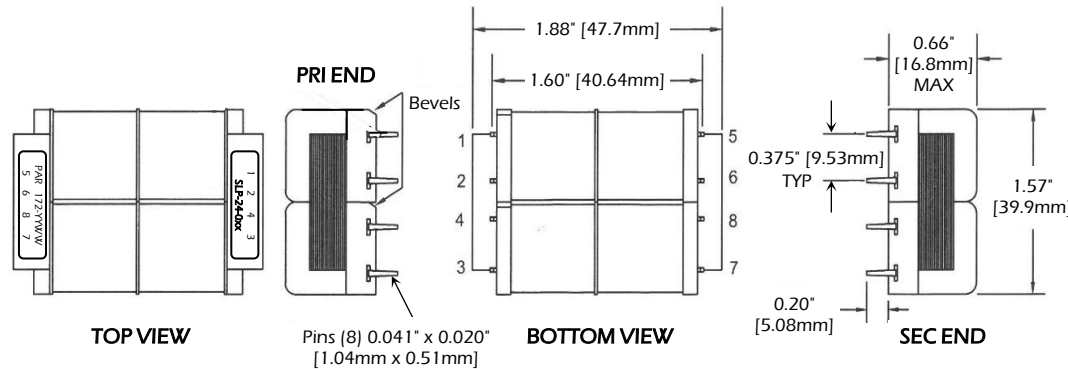


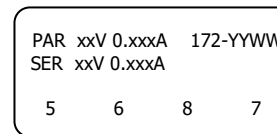
SLP-24-050

SLP-24-050 Series Features:

- * Rating: 2.5VA
- * 24V 60Hz input (parallel PRI's), dual (series/parallel) outputs, (see schematic notes below).
- * Side-by-side input and outputs (no electrostatic shield required).
- * Low profile.
- * 100% tested for PRI-SEC hi-pot at 2500VAC, PRI-Core & SEC-Core at 1500VAC.
- * Coated to resist dust and moisture.
- * Same PCB layout as SPW-050-S Series (115V 60Hz input), and SPW-3050 Series (115/230V 50/60Hz inputs, international-capable).



"xx" is replaced by last 2 digits of model number

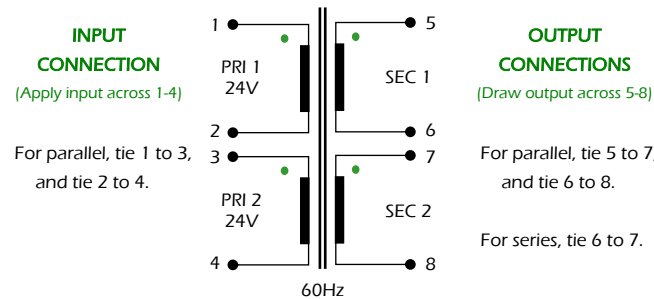


("YYWW" replaced by current date code)

Dimensions are for reference only.

MODEL	Series Rating	Parallel Rating
SLP-24-050	10VCT @ 0.250A	5V @ 0.500A
SLP-24-051	12.6VCT @ 0.200A	6.3V @ 0.400A
SLP-24-052	16VCT @ 0.150A	8V @ 0.300A
SLP-24-053	20VCT @ 0.125A	10V @ 0.250A
SLP-24-054	24VCT @ 0.100A	12V @ 0.200A
SLP-24-061	30VCT @ 0.085A	15V @ 0.170A

For 24V, PRI 1 and PRI 2 must ALWAYS be inter-connected in parallel.
SEC 1 and SEC 2 must ALWAYS be inter-connected, either in parallel or series.



CERTIFICATIONS & DECLARATIONS

- * **UL/cUL 5085-2** General Purpose construction.
NOTE: Providing external circuit protection (ie. fusing) to comply with safety agency requirements in the application is the responsibility of the customer.
- * **UL 1446** Recognized Class B (130°C) Insulation System (File E95662).
- * **RoHS** and **REACH** Compliant.
- * California **Prop 65** warning:
These products may contain chemicals known to the State of California to cause cancer, and birth defects or other reproductive harm.

0	31-May-2021	Acquired from Prem Magnetics. Released for Production.	SDE
REV	DATE	DESCRIPTION	BY

24V 60Hz
2.5VA



A PowerVolt Group Company
Bellevue, Iowa 52031 USA
ISO 9001 Registered since 1998