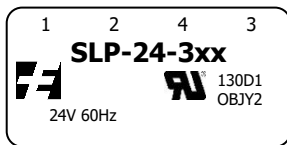
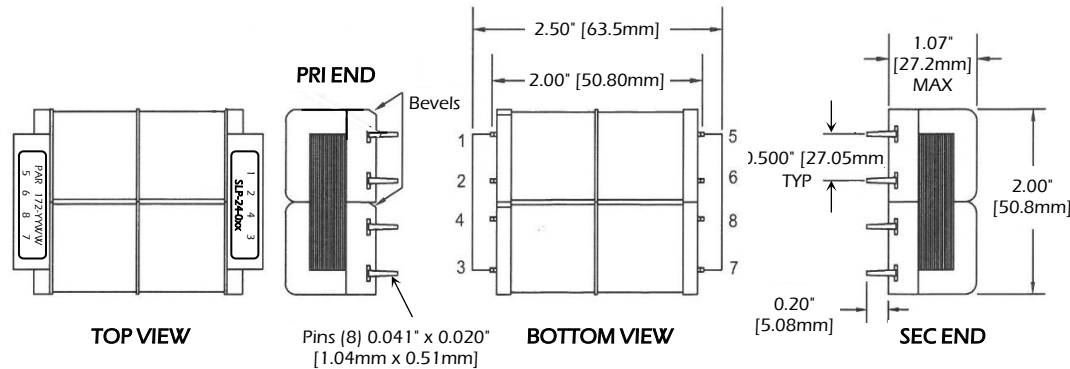


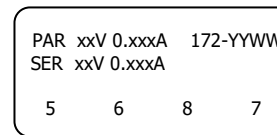
# SLP-24-300

## SLP-24-300 Series Features:

- \* Rating: 12.0VA
- \* 24V 60Hz input (parallel PRI's), dual (series/parallel) outputs, (see schematic notes below).
- \* Side-by-side input and outputs (no electrostatic shield required).
- \* Low profile.
- \* 100% tested for PRI-SEC hi-pot at 2500VAC, PRI-Core & SEC-Core at 1500VAC.
- \* Coated to resist dust and moisture.
- \* Same PCB layout as SPW-300-S Series (115V 60Hz input).



"xx" is replaced by last 2 digits of model number

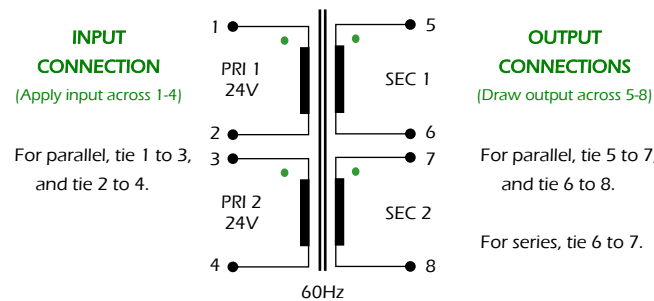


("YYWW" replaced by current date code)

Dimensions are for reference only.

MODEL	Series Rating	Parallel Rating
SLP-24-300	10VCT @ 1.200A	5V @ 2.400A
SLP-24-301	12.6VCT @ 0.900A	6.3V @ 1.800A
SLP-24-302	16VCT @ 0.700A	8V @ 1.400A
SLP-24-303	20VCT @ 0.6000A	10V @ 1.200A
SLP-24-304	24VCT @ 0.500A	12V @ 1.000A
SLP-24-311	30VCT @ 0.400A	15V @ 0.800A

For 24V, PRI 1 and PRI 2 must ALWAYS be inter-connected in parallel.  
SEC 1 and SEC 2 must ALWAYS be inter-connected, either in parallel or series.



## CERTIFICATIONS & DECLARATIONS

- \* **UL/cUL 5085-2** General Purpose construction.  
*NOTE: Providing external circuit protection (ie. fusing) to comply with safety agency requirements in the application is the responsibility of the customer.*
- \* **UL 1446** Recognized Class B (130°C) Insulation System (File E95662).
- \* **RoHS** and **REACH** Compliant.
- \* California **Prop 65** warning:  
*These products may contain chemicals known to the State of California to cause cancer, and birth defects or other reproductive harm.*

0	31-May-2021	Acquired from Prem Magnetics. Released for Production.	SDE
REV	DATE	DESCRIPTION	BY

**24V 60Hz  
12.0VA**



A PowerVolt Group Company  
Bellevue, Iowa 52031 USA  
ISO 9001 Registered since 1998