

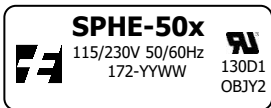
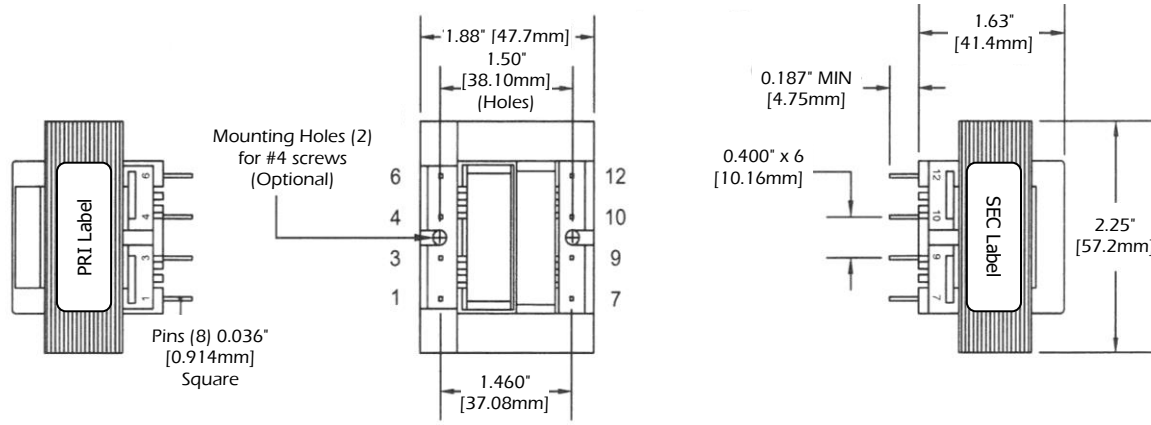
SPHE-500

CERTIFICATIONS & DECLARATIONS

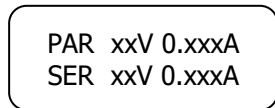
- * **UL/cUL 5085-2** and/or **-3, 60601-1, 62638** and **EN/IEC 61558** compliant construction.
PRI-SEC: Reinforced insulation, 8mm Cr/Cl, Pollution degree 2, Material group IIIb.
- NOTE: Fusing these models to comply with safety agency requirements in the end product(s) is the responsibility of the customer.*
- * Compliant with **Energy Star™** low input power consumption (< 0.3W) specification.
Typical efficiency = 88%.
- * **UL 1446** Class B (130°C) Insulation System (E95662).
- * **RoHS** and **REACH** Compliant
- * California **Prop 65** warning:
These products may contain chemicals known to the State of California to cause cancer, and birth defects or other reproductive harm.

SPHE-500 Series Features:

- * Rating: 6VA
- * Dual 115/230V inputs, dual (series/parallel) outputs, (see schematic notes below).
- * US/Canada/International-capable.
- * Flame-retardant bobbin/shroud (UL 94 V0).
- * 100% tested for PRI-SEC hi-pot at 4000VAC.
- * Side-by-side inputs and outputs (no electrostatic shield required).
- * Coated to resist dust and moisture.



(*x* is replaced by the last digit of the model number)
(*YYWW* is replaced by the current date code)

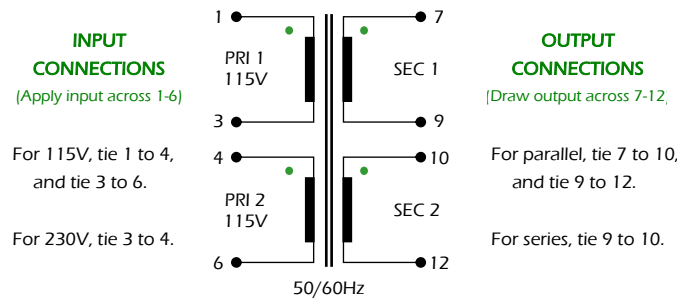


SEC Label

Dimensions are for reference only.

MODEL	Series Rating	Parallel Rating
SPHE-500	10VCT @ 0.600A	5V @ 1.20A
SPHE-501	12.6VCT @ 0.500A	6.3V @ 1.00A
SPHE-502	16VCT @ 0.400A	8V @ 0.80A
SPHE-503	20VCT @ 0.300A	10V @ 0.60A
SPHE-504	24VCT @ 0.250A	12V @ 0.50A
SPHE-505	28VCT @ 0.200A	14V @ 0.40A
SPHE-506	36VCT @ 0.170A	18V @ 0.34A
SPHE-507	48VCT @ 0.125A	24V @ 0.25A
SPHE-508	56VCT @ 0.110A	28V @ 0.22A
SPHE-509	120VCT @ 0.050A	60V @ 0.10A

PRI 1 and PRI 2 must ALWAYS be inter-connected, either in parallel or series.
SEC 1 and SEC 2 must ALWAYS be inter-connected, either in parallel or series.



REV	DATE	DESCRIPTION	BY
0	31-May-2021	Acquired from Prem Magnetics. Released for Production.	SDE

115/230V 50/60Hz
6VA



A PowerVolt Group Company
Bellevue, Iowa 52031 USA
ISO 9001 Registered since 1998