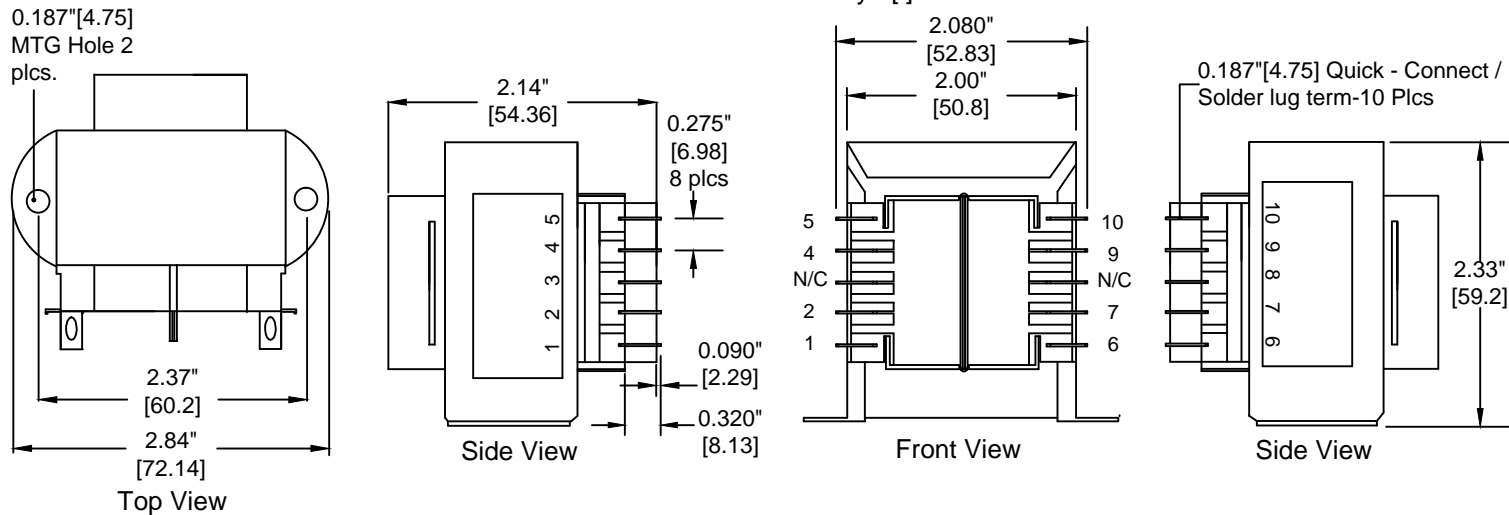


SPWC-1400 Series: 25 VA International Chassis Mount Power transformers with dual 115/230V primaries and dual secondaries. These transformers are designed to provide the high isolation, creepage and clearance distances necessary to comply with international safety standards.

- Dielectric Strength - 4500Vrms Hipot primary - secondary
- Dual Primaries (must be used either Series or Parallel connected as one winding) 115/230V, 50/60Hz
- Insulation System - Class F (155°C), UL 1446 (File E85315)
- Shrouded primary and secondary, Dual bobbin construction, no electrostatic shield required
- 100% Final Tested - Every transformer is tested on automated panels for induced voltage (shorted turns), exciting current, open circuit voltage (turns ratio), polarity (phasing) and dielectric strength
- Dual Secondaries - Series or Parallel
- Immersed in 100% solids epoxy resin to withstand most aqueous and solvent cleaning systems
- Flammability - Dual Bobbins and Shroud Material meets UL 94-VO
- Terminals - Solder Lug/Quick connect type - 0.187"
- Other primary and secondary voltages may be custom designed

All dimensions for reference only. []=mm



PRIMARY AND SECONDARY WINDINGS ARE DESIGNED TO BE USED AS ONE PRIMARY AND ONE SECONDARY WINDING WITH EITHER PARALLEL OR SERIES CONNECTION ONLY.

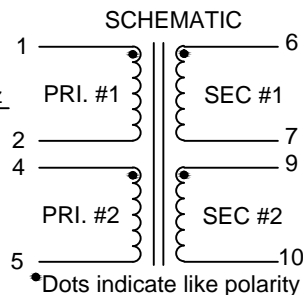
RMS RATING WITH SECONDARIES CONNECTED IN:

Part Number	VA	Series	Parallel
SPWC-1400	25	10Vct @ 2.50A	5V @ 5.0A
SPWC-1401	25	12.6Vct @ 2.0A	6.3V @ 4.0A
SPWC-1402	25	16Vct @ 1.60A	8V @ 3.20A
SPWC-1403	25	20Vct @ 1.25A	10V @ 2.50A
SPWC-1404	25	24Vct @ 1.04A	12V @ 2.08A
SPWC-1405	25	28Vct @ 900mA	14V @ 1.80A
SPWC-1406	25	36Vct @ 700mA	18V @ 1.40A
SPWC-1407	25	230Vct @ 110mA	115V @ 220mA

INPUT VOLTAGE 1 - 5 (TIE 2-4), 230V, 50/60Hz
 INPUT VOLTAGE 1 - 5 (TIE 1-4, 2-5), 115V, 50/60Hz

SECONDARY PARALLEL CONNECTIONS:
 TIE 6-9, 7-10; OUTPUT 6-10

SECONDARY SERIES CONNECTIONS:
 TIE 7-9; OUTPUT 6-10



THE DESIGN OF THIS PART IS INTENDED TO MEET THE LISTED SAFETY AGENCY REQUIREMENTS. PREM HAS NOT HAD THIS PART REVIEWED, APPROVED OR LISTED BY ANY SAFETY AGENCY.

- PRI TO SEC INSULATION: REINFORCED
- PRI TO SEC CREEPAGE: 10mm MIN. (MATERIAL GROUP IIIb)
- PRI TO SEC CLEARANCE: 9mm MIN.

SPWC-1400 Series

Notes

Designed to meet:
 -UL 60950
 -VDE 0805 (EN 60950)

FUSING THE TRANSFORMER TO MEET SAFETY AGENCY REQUIREMENTS IS THE RESPONSIBILITY OF THE CUSTOMER.

-3	Add Bullets	3-12-15
-2	Remove label info except for terms	1-19-15
-1	Chg. mm=[] and moved 0.330"Dim.	12-4-14

PREM
 MAGNETICS INCORPORATED
 3521 N. CHAPEL HILL RD.
 JOHNSBURG, IL 60050

**PREM PART SPWC-1400
 INTERNATIONAL CHASSIS
 SERIES**

Approved: **R. RANDOW**

Scale: **None**

Date: **10/16/2009**