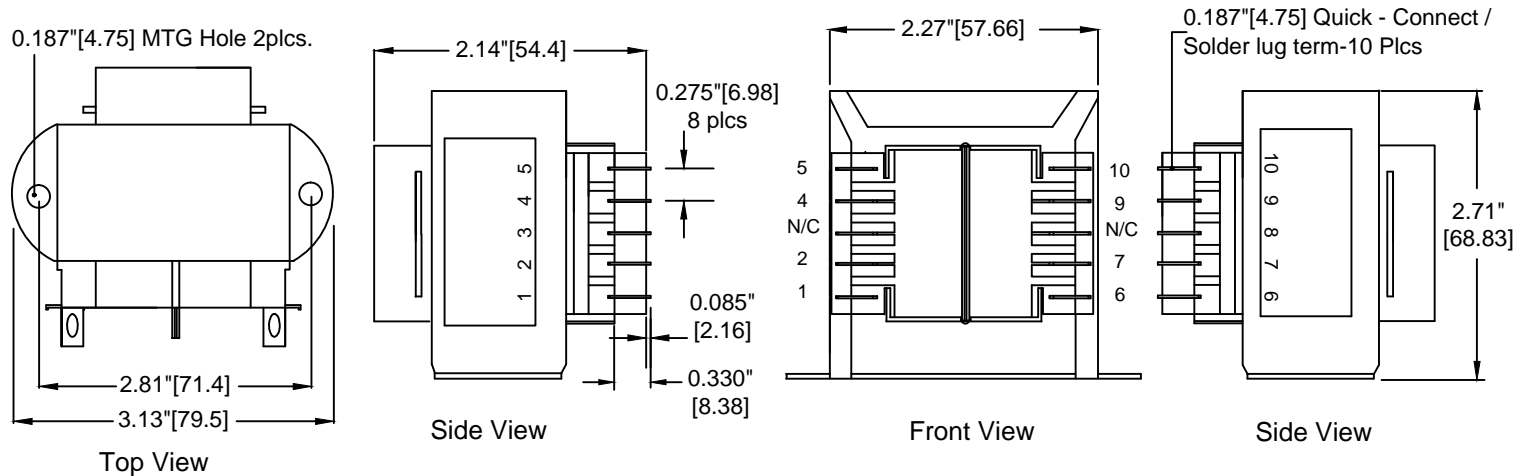


SPWC-1500 Series: 43 VA International Chassis Mount Power transformers with dual 115/230V primaries and dual secondaries. These transformers are designed to provide the high isolation, creepage and clearance distances necessary to comply with international safety standards.

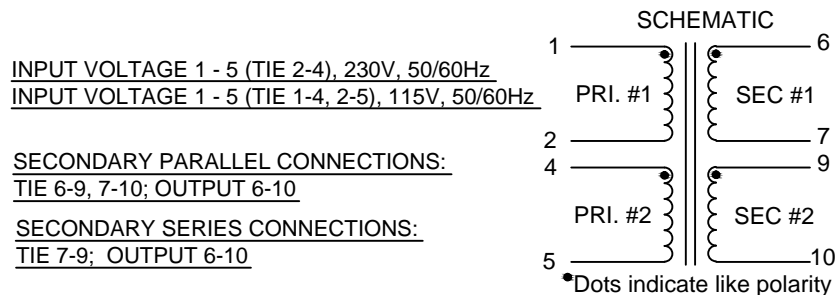
- Dielectric Strength - 4500Vrms Hipot primary - secondary
- Dual Primaries (must be used either Series or Parallel connected as one winding) 115/230V, 50/60Hz
- Insulation System - Class F (155°C), UL 1446 (File E85315)
- Shrouded primary and secondary, Dual bobbin construction, no electrostatic shield required
- 100% Final Tested - Every transformer is tested on automated panels for induced voltage (shorted turns), exciting current, open circuit voltage (turns ratio), polarity (phasing) and dielectric strength
- Dual Secondaries - Series or Parallel
- Immersed in 100% solids epoxy resin to withstand most aqueous and solvent cleaning systems
- Flammability - Dual Bobbins and Shroud Material meets UL 94-VO
- Terminals - Solder Lug/Quick connect type - 0.187"
- Other primary and secondary voltages may be custom designed

All dimensions for reference only. []=mm



PRIMARY AND SECONDARY WINDINGS ARE DESIGNED TO BE USED AS ONE PRIMARY AND ONE SECONDARY WINDING WITH EITHER PARALLEL OR SERIES CONNECTION ONLY.

RMS RATING WITH SECONDARIES CONNECTED IN:



Part Number	VA	Series	Parallel
SPWC-1500	43	10Vct @ 4.3A	5V @ 8.6A
SPWC-1501	43	12.6Vct @ 3.4A	6.3V @ 6.8A
SPWC-1502	43	16Vct @ 2.7A	8V @ 5.4A
SPWC-1503	43	20Vct @ 2.2A	10V @ 4.4A
SPWC-1504	43	24Vct @ 1.8A	12V @ 3.6A
SPWC-1505	43	28Vct @ 1.5A	14V @ 3.0A
SPWC-1506	43	36Vct @ 1.2A	18V @ 2.4A
SPWC-1507	43	230Vct @ 190mA	115V @ 380mA

THE DESIGN OF THIS PART IS INTENDED TO MEET THE LISTED SAFETY AGENCY REQUIREMENTS. PREM HAS NOT HAD THIS PART REVIEWED, APPROVED OR LISTED BY ANY SAFETY AGENCY.

- PRI TO SEC INSULATION: REINFORCED
- PRI TO SEC CREEPAGE: 9mm MIN. (MATERIAL GROUP IIIb)
- PRI TO SEC CLEARANCE: 10mm MIN.

SPWC-1500 Series

Notes

Designed to meet:
-UL 60950
-VDE 0805 (EN 60950)

FUSING THE TRANSFORMER TO MEET SAFETY AGENCY REQUIREMENTS IS THE RESPONSIBILITY OF THE CUSTOMER.

-2	Add Bullets	3-12-15
-1	Chg. mm=[] and moved 0.330"Dim.	12-4-14

PREM
MAGNETICS INCORPORATED
3521 N. CHAPEL HILL RD.
JOHNSBURG, IL 60050

**PREM PART SPWC-1500
INTERNATIONAL CHASSIS
SERIES**

Approved: R. RANDOW

Scale: None

Date: 07/15/2010