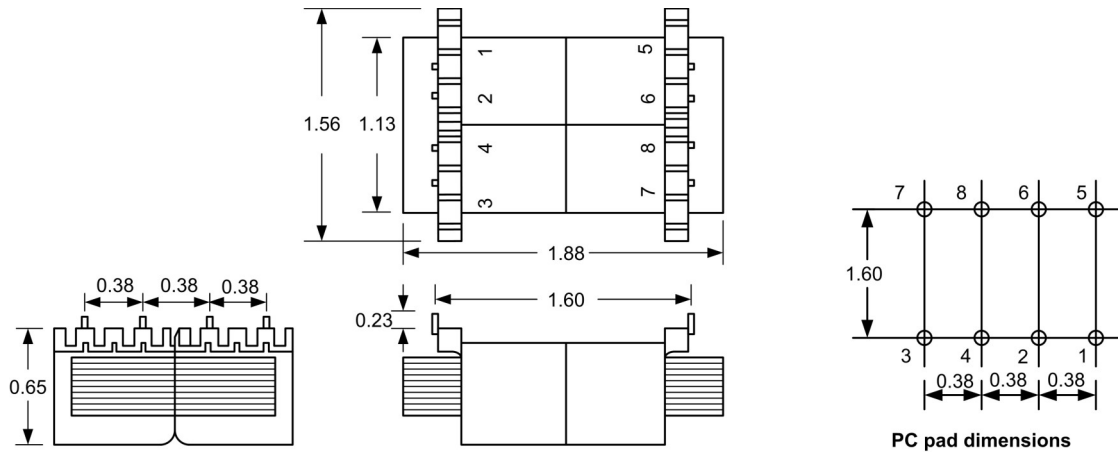


# NAVIGATOR CLASS - PRINTED CIRCUIT MOUNT, LOW PROFILE POWER TRANSFORMER



## 1. Electrical Specifications

- A. Maximum Power: 2.5VA
- B. Input Voltage and Frequency: 115/230V - 50/60Hz
- C. Voltage Regulation: 22% TYP, Full Load to No Load
- D. Temperature Rise: 20°C TYP
- E. Insulation Resistance: < 1MEG ohm
- F. Hi-Pot: 2500 Vrms 1 minute @ Pri to Sec  
2500 Vrms 1 minute @ Pri to Core  
1500 Vrms 1 minute @ Sec to Core

2. Marking: Ensign Corp, part number (see table), date code, terminal numbers

3. Safety:

UL/cUL 5085-2 Recognized (File 47299)

UL 1446 Recognized Insulation System (File 95662)

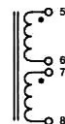


### Primary Schematics



Dual Input (Specify  
115/230V or 120/240V)

### Secondary Schematics



Dual Output

Part Number	Series Connection	Parallel Connection
115/230V		
U002-2-010X	10VCT @ 250mA	5V @ 500mA
U002-2-012X	12.6VCT @ 200mA	6.3V @ 400mA
U002-2-016X	16VCT @ 150mA	8V @ 300mA
U002-2-020X	20VCT @ 125mA	10V @ 250mA
U002-2-024X	24VCT @ 100mA	12V @ 200mA
U002-2-030X	30VCT @ 85mA	15V @ 170mA
U002-2-034X	34VCT @ 75mA	17V @ 150mA
U002-2-040X	40VCT @ 60mA	20V @ 120mA
U002-2-056X	56VCT @ 45mA	28V @ 90mA
U002-2-088X	88VCT @ 28mA	44V @ 56mA
U002-2-120X	120VCT @ 20mA	60V @ 40mA
U002-2-230X	230VCT @ 10mA	115V @ 20mA



## POWER TRANSFORMER NAVIGATOR CLASS

U002-2-XXXX

CONTENTS OF THIS DRAWING ARE SUBJECT TO  
CHANGE WITHOUT PRIOR NOTICE

**Ensign Corporation**  
201 ENSIGN RD., BELLEVUE, IA 52031

Dim: Inches

Sheet 1 of 1

PROPRIETARY NOTICE: THIS DRAWING PRINT OR DOCUMENT AND SUBJECT MATTER DISCLOSED HEREIN ARE PROPRIETARY ITEMS TO WHICH ENSIGN RETAINS THE EXCLUSIVE RIGHT OF DISSEMINATION, MANUFACTURE AND SALE. THIS DRAWING, PRINT OR DOCUMENT IS SUBMITTED IN CONFIDENCE FOR CONSIDERATION BY THE RECIPIENT ALONE UNLESS PERMISSION FOR FURTHER DISCLOSURE IS EXPRESSLY GRANTED IN WRITING