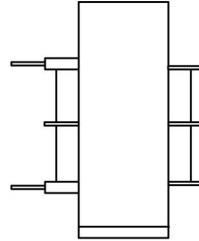
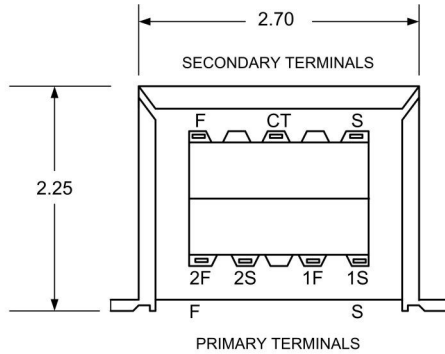
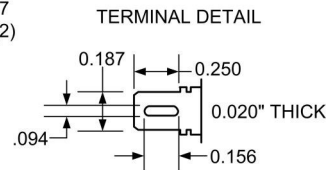
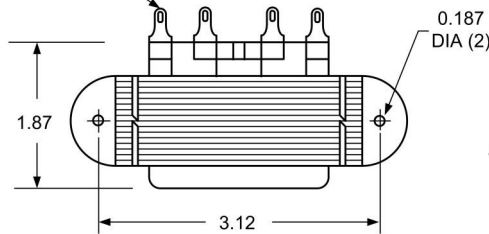


COMMODORE CLASS - CHASSIS MOUNT WITH QUICK-CONNECT TERMINALS POWER TRANSFORMER



0.187" QUICK-CONNECT OR
SOLDER LUG TERMINALS

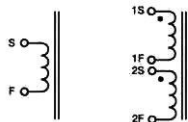


1. Electrical Specifications
 - A. Maximum Power: 50VA
 - B. Input Voltage and Frequency: 115V, 115/230V or 230V 50/60Hz
 - C. Voltage Regulation: 10% TYP @ full load to no load
 - D. Temperature Rise: 40°C TYP
 - E. Insulation Resistance: < 1 MEG ohm
 - F. Hi-Pot: 2500Vrms 1 minute
2. Marking: Ensign Corp, part number (see table), date code, country, terminal number
3. Agency approval:
 - UL/cUL 5085-2 Recognized (File 47299)
 - UL 1446 Recognized Insulation System (File 95662)



Part Number			
115V	115/230V	230V	Secondary
T050-1-510X	T050-2-510X	T050-3-510X	10VCT @ 5.0A
T050-1-512X	T050-2-512X	T050-3-512X	12.6VCT @ 4.0A
T050-1-516X	T050-2-516X	T050-3-516X	16VCT @ 3.1A
T050-1-520X	T050-2-520X	T050-3-520X	20VCT @ 2.5A
T050-1-524X	T050-2-524X	T050-3-524X	24VCT @ 2.1A
T050-1-528X	T050-2-528X	T050-3-528X	28VCT @ 1.8A
T050-1-536X	T050-2-536X	T050-3-536X	36VCT @ 1.4A
T050-1-548X	T050-2-548X	T050-3-548X	48VCT @ 1.0A
T050-1-556X	T050-2-556X	T050-3-556X	56VCT @ 890mA
T050-1-620X	T050-2-620X	T050-3-620X	120VCT @ 420mA

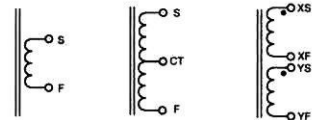
Primary Schematics



Single Input
(Specify 115V,
120V, 230V or
240V)

Dual Input
(Specify
115/230V or
120/240V)

Secondary Schematics



Single Output

Center-Tapped Output

Dual Output

	POWER TRANSFORMER COMMODORE CLASS		T050-1-XXXX T050-2-XXXX T050-3-XXXX	
	CONTENTS OF THIS DRAWING ARE SUBJECT TO CHANGE WITHOUT PRIOR NOTICE	Ensign Corporation 201 ENSIGN RD., BELLEVUE, IA 52031		Dim: Inches
PROPRIETARY NOTICE: THIS DRAWING PRINT OR DOCUMENT AND SUBJECT MATTER DISCLOSED HEREIN ARE PROPRIETARY ITEMS TO WHICH ENSIGN RETAINS THE EXCLUSIVE RIGHT OF DISSEMINATION, MANUFACTURE AND SALE. THIS DRAWING, PRINT OR DOCUMENT IS SUBMITTED IN CONFIDENCE FOR CONSIDERATION BY THE RECIPIENT ALONE UNLESS PERMISSION FOR FURTHER DISCLOSURE IS EXPRESSLY GRANTED IN WRITING				