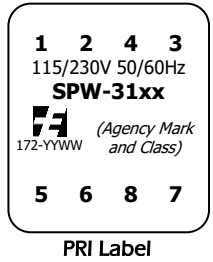
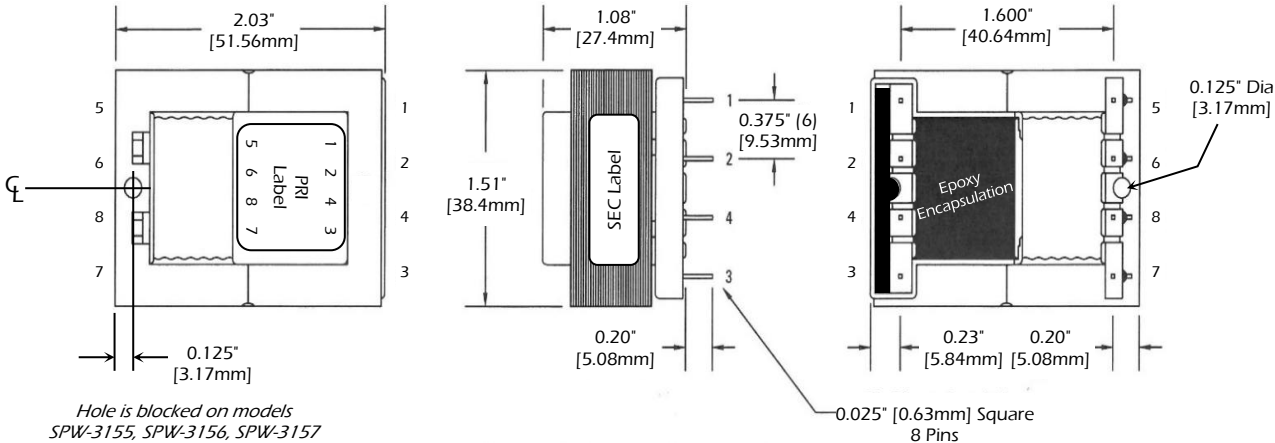


SPW-3150

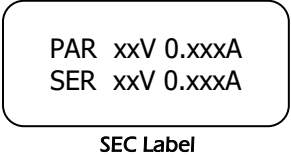
SPW-3150 Series Features:

- * Rating: 9VA
- * Dual 115/230V inputs, dual (series/parallel) output (see schematic notes below).
- * Input winding is epoxy encapsulated.
- * Approved for US and Canada, International-capable
- * Low profile.
- * Flame-retardant bobbin/shroud (UL 94 V0).
- * 100% tested for PRI-SEC hi-pot at 4000VAC.
- * Side-by-side inputs and outputs (no electrostatic shield required).
- * Coated to resist dust and moisture.
- * Same PCB layout as non-encapsulated versions: SPW-150 Series (US/Canada), and SLP-24-150 (24V 60Hz input)



"xx" is replaced by last 2 digits of model number
"YYWW" is replaced by current date code

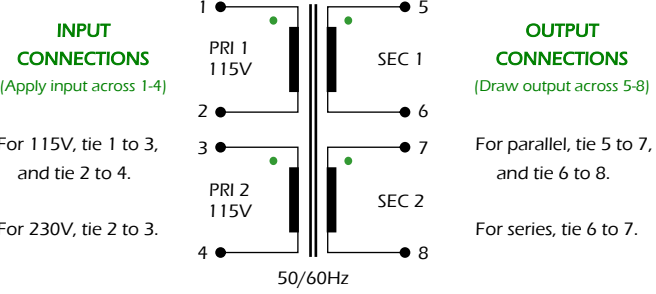
- Agency Classes:
(see Chart below, and Certification note)
- * Class 2 (US & Canada)
 - ** Class 2 Not Wet, Class 3 Wet (US & Canada)
 - *** Class 3 (US only)
 - + Insulation system only



Dimensions are for reference only.

MODEL	Agency Mark	Series Rating	Parallel Rating
SPW-3150 *		10VCT @ 0.900A	5V @ 1.800A
SPW-3151 **		12.6VCT @ 0.725A	6.3V @ 1.450A
SPW-3152 **		16VCT @ 0.562A	8V @ 1.125A
SPW-3153 **		20VCT @ 0.450A	10V @ 0.900A
SPW-3154 ***		24VCT @ 0.375A	12V @ 0.750A
SPW-3155 ***		34VCT @ 0.265A	17V @ 0.530A
SPW-3156 ***		40VCT @ 0.225A	20V @ 0.450A
SPW-3157 ***		56VCT @ 0.161A	28V @ 0.322A
SPW-3158 +		88VCT @ 0.102A	44V @ 0.204A
SPW-3159 +		120VCT @ 0.075A	60V @ 0.150A
SPW-3160 +		230VCT @ 0.040A	115V @ 0.080A
SPW-3161 ***		30VCT @ 0.300A	15V @ 0.600A

PRI 1 and PRI 2 must ALWAYS be inter-connected, either in parallel or series.
SEC 1 and SEC 2 must ALWAYS be inter-connected, either in parallel or series.



CERTIFICATIONS & DECLARATIONS

- * **UL 5085-3** Class 2 or Class 3 for U.S. & Canada, (depending on model), File E49606.
NOTE: Class 2/Class 3 recognitions require an external fuse to be added by the customer in the input circuit. If configured for 115V input, Littelfuse 313.200. If configured for 230V, Littelfuse 313.100.
- * **UL 1446** Recognized Class B (130°C) OBJ2 Insulation System, File E95662.
- * **RoHS and REACH** Compliant.
- * California **Prop 65** warning:

These products may contain chemicals known to the State of California to cause cancer, and birth defects or other reproductive harm.

REV	DATE	DESCRIPTION	BY
0	31-May-2021	Acquired from Prem Magnetics. Released for Production.	SDE

115/230V 50/60Hz
9VA



A PowerVolt Group Company
Bellevue, Iowa 52031 USA
ISO 9001 Registered since 1998