

SPW-2400

SPW-2400 Series Features:

- * Rating: 24VA
- * Dual 115/230V inputs, dual (series/parallel) outputs, (see schematic notes below).
- * Input windings are epoxy encapsulated.
- * Approved for US and Canada, International-capable.
- * Flame-retardant bobbin/shroud (UL 94 V0).
- * 100% tested for PRI-SEC hi-pot at 4000VAC.
- * Low profile. Reduced EMI.
- * Side-by-side PRI's & SEC's (no electrostatic shield required).

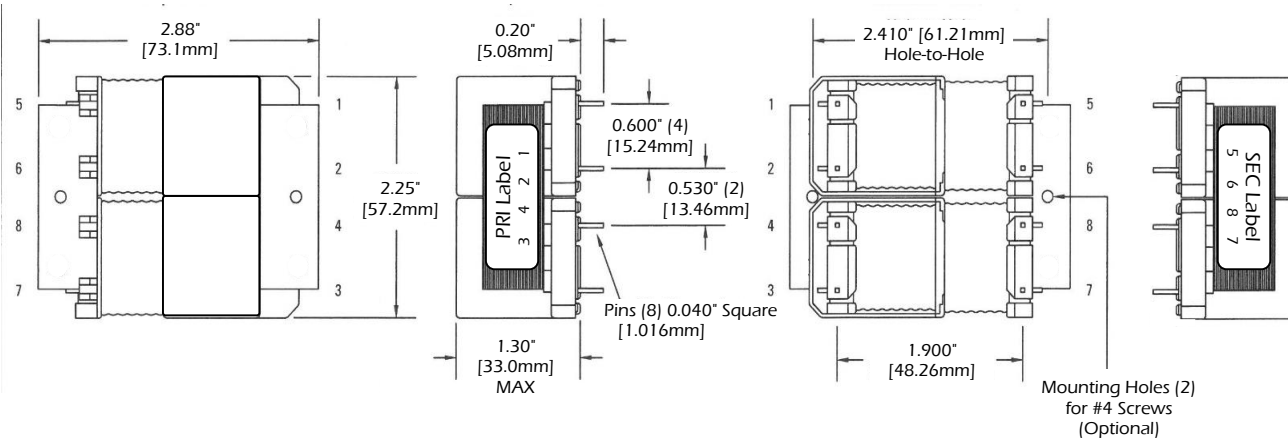
Required Fusing:

Model(s)	Fuse(s)
SPW-2400 SEC	Eaton/Cooper AGC 2.5A (10V SEC), AGC 5A (5V SEC)
SPW-2401 SEC	Eaton/Cooper MDL-2 / MDL-2-R (12.6V SEC), Eaton/Cooper MDL-4 / MDL-4-R (6.3V SEC)
SPW-2402 PRI	Eaton/Cooper MDL-3/8 / MDL-3/8-R (115V PRI), Eaton/Cooper MDL-3/16 / MDL-3/16-R (230V PRI),
SPW-2403 to -2411 PRI	Littelfuse 218.400 (115V input), Littelfuse 218.200 (230V input)

CERTIFICATIONS & DECLARATIONS

- * **UL 5085-3** Class 2, Class 3, or Construction Only (depending on model) for U.S. & Canada, File E49606, or CSA File 063944.
- NOTE: Class 2/Class 3 recognitions require an external fuse to be added by the customer. Refer to the Required Fuse(s) table for locations and specified fuse(s).*
- * **UL 1446** Recognized Class B (130°C) OBJY2 Insulation System, File E95662.
- * **RoHS and REACH** Compliant.
- * California **Prop 65** warning:

These products may contain chemicals known to the State of California to cause cancer, and birth defects or other reproductive harm.



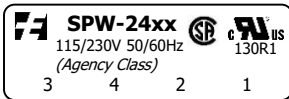
"xx" is replaced by last 2 digits of model number

Agency Classes:

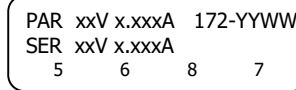
(see Chart below, and Certification note)

- * Class 2 Not Wet, Class 3 Wet (US & Canada)
- ** Class 2 Not Wet, Class 3 Wet (US & Canada)
- *** Class 3 (US & Canada)
- + Construction only (US & Canada)

Dimensions are for reference only.



PRI Label

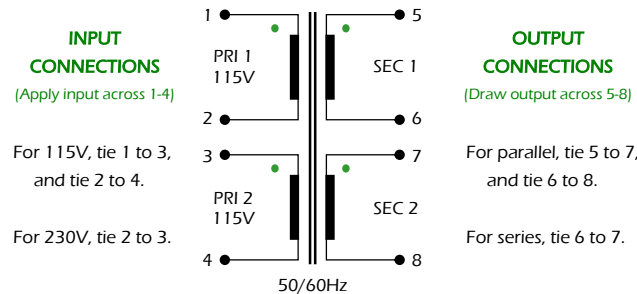


SEC Label

(*YYWW" replaced by current date code)

MODEL	Series Rating	Parallel Rating
SPW-2400 *	10VCT @ 2.400A	5V @ 4.80A
SPW-2401 **	12.6VCT @ 1.900A	6.3V @ 3.80A
SPW-2402 **	16VCT @ 1.500A	8V @ 3.00A
SPW-2403 **	20VCT @ 1.200A	10V @ 2.40A
SPW-2404 ***	24VCT @ 1.000A	12V @ 2.00A
SPW-2405 ***	34VCT @ 0.700A	17V @ 1.40A
SPW-2406 ***	40VCT @ 0.600A	20V @ 1.20A
SPW-2407 ***	56VCT @ 0.425A	28V @ 0.85A
SPW-2408 +	88VCT @ 0.270A	44V @ 0.54A
SPW-2409 +	120VCT @ 0.200A	60V @ 0.40A
SPW-2410 +	230VCT @ 0.100A	115V @ 0.20A
SPW-2411 ***	30VAC @ 0.800A	15V @ 1.60A

PRI 1 and PRI 2 must ALWAYS be inter-connected, either in parallel or series.
SEC 1 and SEC 2 must ALWAYS be inter-connected, either in parallel or series.



REV	DATE	DESCRIPTION	BY
0	31-May-2021	Acquired from Prem Magnetics. Released for Production.	SDE

115/230V 50/60Hz
24VA



A PowerVolt Group Company
Bellevue, Iowa 52031 USA
ISO 9001 Registered since 1998