

# SPW-3600

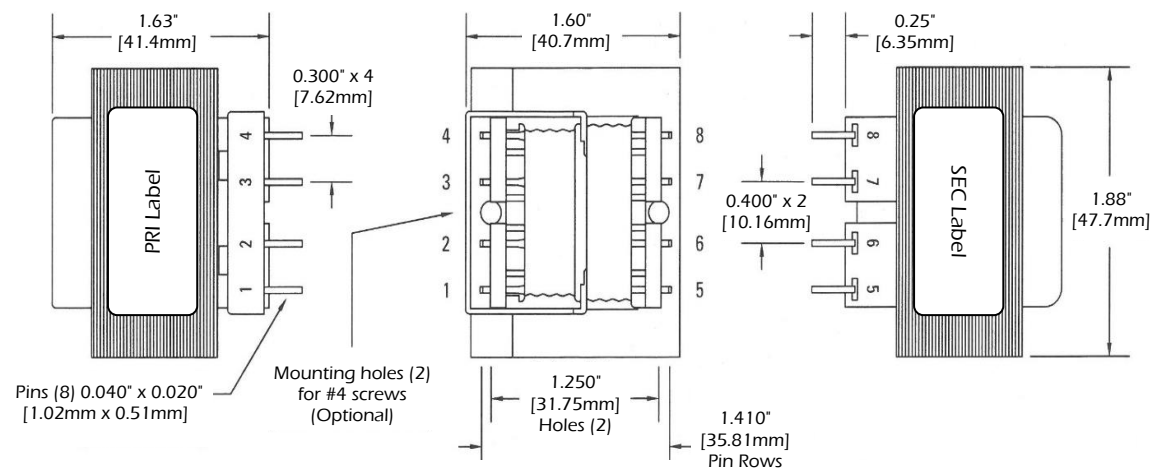
## CERTIFICATIONS & DECLARATIONS

- \* **UL 5085-3** Class 2 or Class 3 for U.S. & Canada, (depending on model), File E49606.  
*NOTE: Class 2/Class 3 recognitions require an external fuse to be added by the customer in the input circuit. If configured for 115V input, Littelfuse 218.200. If configured for 230V, Littelfuse 218.100.*
- \* **UL 1446** Recognized Class B (130°C) OBJY2 Insulation System, File E95662.
- \* **RoHS** and **REACH** Compliant.
- \* California **Prop 65** warning:

*These products may contain chemicals known to the State of California to cause cancer, and birth defects or other reproductive harm.*

## SPW-3600 Series Features:

- \* Rating: 12VA
- \* Dual 115/230V inputs, dual (series/parallel) outputs, (see schematic notes below).
- \* Shrouded input winding.
- \* Approved for US and Canada, International-capable.
- \* Flame-retardant bobbin/shroud (UL 94 V0).
- \* 100% tested for PRI-SEC hi-pot at 4000VAC.
- \* Side-by-side inputs and outputs (no electrostatic shield required).
- \* Coated to resist dust and moisture.
- \* Same PCB layout as SPW-600-D Series (General Purpose for US/Canada),



**SPW-360x**  
115/230V 50/60Hz  
*(Agency Mark and Class)*

Agency Classes:  
*(see Chart below, and Certification note)*

- \* Class 2 (US & Canada)
- \*\* Class 2 Not Wet, Class 3 Wet (US & Canada)
- \*\*\* Class 3 (US only)
- + Insulation system only

**PAR xxV 0.xxxA**  
**SER xxV 0.xxxA**  
**172-YYWW**

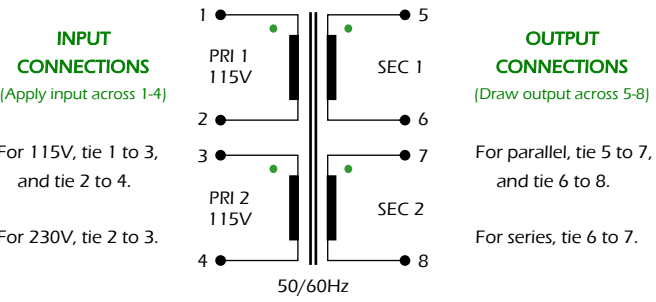
**SEC Label**

*"YYWW" is replaced by current date code*

**PRI Label**  
*"x" is replaced by last digit of model number*

**Dimensions are for reference only.**

PRI 1 and PRI 2 must ALWAYS be inter-connected, either in parallel or series.  
SEC 1 and SEC 2 must ALWAYS be inter-connected, either in parallel or series.



MODEL	Agency Mark	Series Rating	Parallel Rating
SPW-3600 *		10VCT @ 1.200A	5V @ 2.40A
SPW-3601 **		12.6VCT @ 1.000A	6.3V @ 2.00A
SPW-3602 **		16VCT @ 0.800A	8V @ 1.60A
SPW-3603 **		20VCT @ 0.600A	10V @ 1.20A
SPW-3604 ***		24VCT @ 0.500A	12V @ 1.00A
SPW-3605 ***		28VCT @ 0.425A	14V @ 0.85A
SPW-3606 ***		36VCT @ 0.350A	18V @ 0.70A
SPW-3607 ***		48VCT @ 0.250A	24V @ 0.50A
SPW-3608 ***		56VCT @ 0.220A	28V @ 0.44A
SPW-3609 +		120VCT @ 0.100A	60V @ 0.20A

REV	DATE	DESCRIPTION	BY
0	31-May-2021	Acquired from Prem Magnetics. Released for Production.	SDE

**115/230V 50/60Hz**  
**12VA**



**A PowerVolt Group Company**  
Bellevue, Iowa 52031 USA  
*ISO 9001 Registered since 1998*