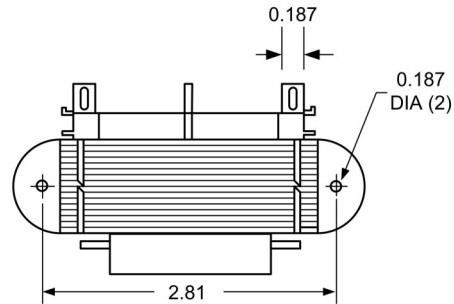
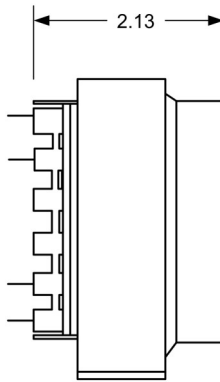
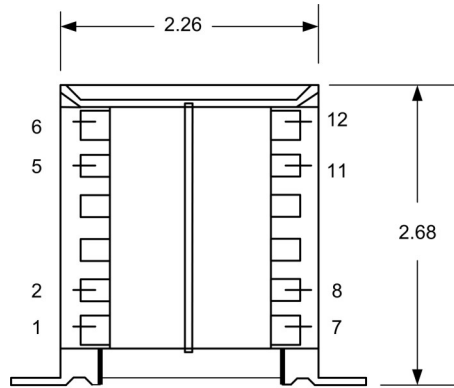


# ADMIRAL CLASS - INTERNATIONAL QUICK-CONNECT TERMINALS, POWER TRANSFORMER



## 1. Electrical Specifications

- A. Maximum Power: 43VA
- B. Input Voltage and Frequency: 115V, 115/230V, 230V 50/60Hz
- C. Voltage Regulation: \_\_\_% TYP @ full load to no load
- D. Temperature Rise: \_\_\_°C TYP
- E. Insulation Resistance: \_\_\_
- F. Hi-Pot: 4000Vrms 1 minute @ Pri to Sec  
 \_\_\_ Vrms 1 minute @ Pri to Core  
 \_\_\_ Vrms 1 minute @ Sec to Core

2. Marking: Ensign Corp, part number (see table), date code, terminal numbers

3. Safety:

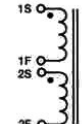
- UL/cUL 5085-2 Recognized (File E47299)
- UL 60950 Recognized (File E144070)
- VDE 0805 Licensed (File 19019-3336-9002/A1C)
- UL 1446 Recognized Insulation System (File E95662)



### Primary Schematics

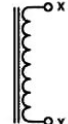


Single Input  
(Specify 115V,  
120V, 230V or  
240V)

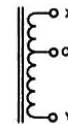


Dual Input  
(Specify  
115/230V or  
120/240V)

### Secondary Schematics



Single  
Output



Center-Tapped  
Output



Dual  
Output

| Part Number  |              |              | Series Connection | Parallel Connection |
|--------------|--------------|--------------|-------------------|---------------------|
| 115V         | 115/230V     | 230V         |                   |                     |
| IT043-1-010X | IT043-2-010X | IT043-3-010X | 10VCT @ 4.3A      | 5V @ 8.6A           |
| IT043-1-012X | IT043-2-012X | IT043-3-012X | 12.6VCT @ 3.4A    | 6.3V @ 6.8A         |
| IT043-1-016X | IT043-2-016X | IT043-3-016X | 16VCT @ 2.7A      | 8V @ 5.4A           |
| IT043-1-020X | IT043-2-020X | IT043-3-020X | 20VCT @ 2.2A      | 10V @ 4.4A          |
| IT043-1-024X | IT043-2-024X | IT043-3-024X | 24VCT @ 1.8A      | 12V @ 3.6A          |
| IT043-1-028X | IT043-2-028X | IT043-3-028X | 28VCT @ 1.5A      | 14V @ 3.0A          |
| IT043-1-036X | IT043-2-036X | IT043-3-036X | 36VCT @ 1.2A      | 18V @ 2.4A          |
| IT043-1-230X | IT043-2-230X | IT043-3-230X | 230VCT @ 0.19A    | 115V @ 0.38A        |



**POWER TRANSFORMER  
ADMIRAL CLASS**

IT043-1-XXXX  
IT043-2-XXXX  
IT043-3-XXXX

CONTENTS OF THIS DRAWING ARE SUBJECT TO  
CHANGE WITHOUT PRIOR NOTICE

**Ensign Corporation**  
201 ENSIGN RD., BELLEVUE, IA 52031

Dim: Inches

Sheet 1 of 1

PROPRIETARY NOTICE: THIS DRAWING PRINT OR DOCUMENT AND SUBJECT MATTER DISCLOSED HEREIN ARE PROPRIETARY ITEMS TO WHICH ENSIGN RETAINS THE EXCLUSIVE RIGHT OF DISSEMINATION, MANUFACTURE AND SALE. THIS DRAWING, PRINT OR DOCUMENT IS SUBMITTED IN CONFIDENCE FOR CONSIDERATION BY THE RECIPIENT ALONE UNLESS PERMISSION FOR FURTHER DISCLOSURE IS EXPRESSLY GRANTED IN WRITING