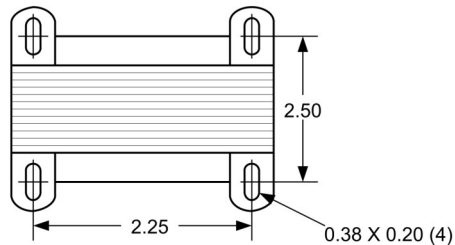
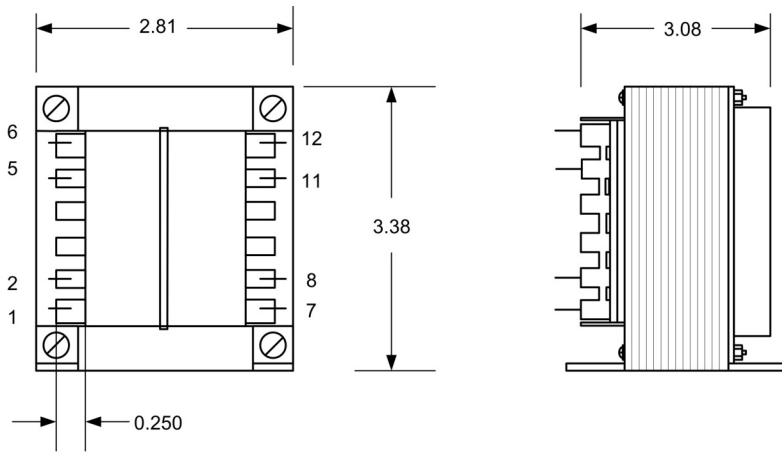


ADMIRAL CLASS - INTERNATIONAL QUICK-CONNECT TERMINALS, POWER TRANSFORMER



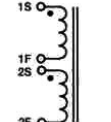
1. Electrical Specifications
 - A. Maximum Power: 130VA
 - B. Input Voltage and Frequency: 115V, 115/230V, 230V 50/60Hz
 - C. Voltage Regulation: ___% TYP @ full load to no load
 - D. Temperature Rise: ___°C TYP
 - E. Insulation Resistance: ___
 - F. Hi-Pot: 4000Vrms 1 minute @ Pri to Sec
 ___ Vrms 1 minute @ Pri to Core
 ___ Vrms 1 minute @ Sec to Core
2. Marking: Ensign Corp, part number (see table), date code, terminal numbers
3. Safety:
 - UL/cUL 5085-2 Recognized (File E47299)
 - UL 60950 Recognized (File E144070)
 - VDE 0805 Licensed (File 19019-3336-9002/A1C)
 - UL 1446 Recognized Insulation System (File E95662)



Primary Schematics

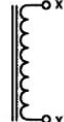


Single Input
(Specify 115V,
120V, 230V or
240V)

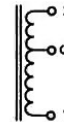


Dual Input
(Specify
115/230V or
120/240V)

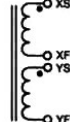
Secondary Schematics



Single Output



Center-Tapped Output



Dual Output

Part Number			Series Connection	Parallel Connection
115V	115/230V	230V		
IT130-1-010X	IT130-2-010X	IT130-3-010X	10VCT @ 13.0A	5V @ 26.0A
IT130-1-012X	IT130-2-012X	IT130-3-012X	12.6VCT @ 10.3A	6.3V @ 20.6A
IT130-1-016X	IT130-2-016X	IT130-3-016X	16VCT @ 8.1A	8V @ 16.2A
IT130-1-020X	IT130-2-020X	IT130-3-020X	20VCT @ 6.5A	10V @ 13.0A
IT130-1-024X	IT130-2-024X	IT130-3-024X	24VCT @ 5.4A	12V @ 10.8A
IT130-1-028X	IT130-2-028X	IT130-3-028X	28VCT @ 4.6A	14V @ 9.2A
IT130-1-036X	IT130-2-036X	IT130-3-036X	36VCT @ 3.6A	18V @ 7.2A
IT130-1-230X	IT130-2-230X	IT130-3-230X	230VCT @ 0.57A	115V @ 1.14A



**POWER TRANSFORMER
ADMIRAL CLASS**

IT130-1-XXXX
IT130-2-XXXX
IT130-3-XXXX

CONTENTS OF THIS DRAWING ARE SUBJECT TO CHANGE WITHOUT PRIOR NOTICE

Ensign Corporation
201 ENSIGN RD., BELLEVUE, IA 52031

Dim: Inches

Sheet 1 of 1

PROPRIETARY NOTICE: THIS DRAWING PRINT OR DOCUMENT AND SUBJECT MATTER DISCLOSED HEREIN ARE PROPRIETARY ITEMS TO WHICH ENSIGN RETAINS THE EXCLUSIVE RIGHT OF DISSEMINATION, MANUFACTURE AND SALE. THIS DRAWING, PRINT OR DOCUMENT IS SUBMITTED IN CONFIDENCE FOR CONSIDERATION BY THE RECIPIENT ALONE UNLESS PERMISSION FOR FURTHER DISCLOSURE IS EXPRESSLY GRANTED IN WRITING