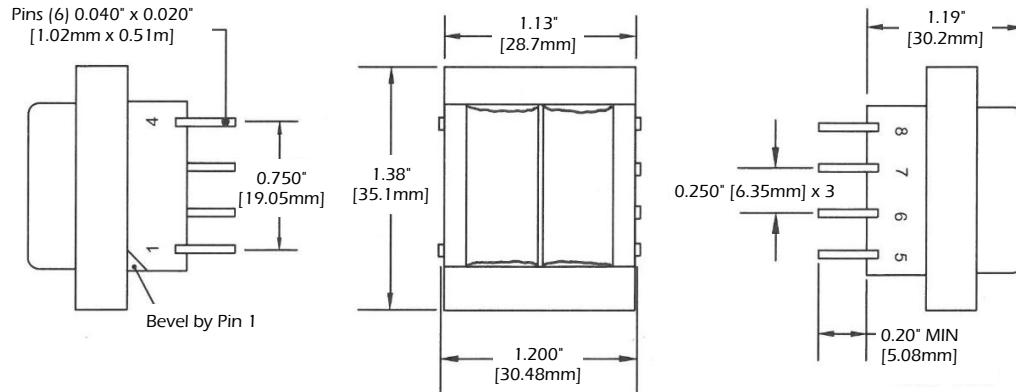


SPW-400-S

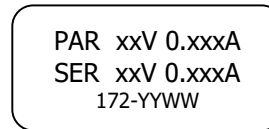
SPW-400-S Series Features:

- * Rating: 2.4VA
- * 115V 60Hz input, dual (series/parallel) outputs, (see schematic notes below).
- * Side-by-side input and outputs (no electrostatic shield required).
- * 100% tested for PRI-SEC hi-pot at 2500VAC, PRI-Core & SEC-Core at 1800VAC.
- * Coated to resist dust and moisture.
- * Same PCB layout as SLP-24-400 Series (24V input).



PRI Label

"x" is replaced by last digit of model number



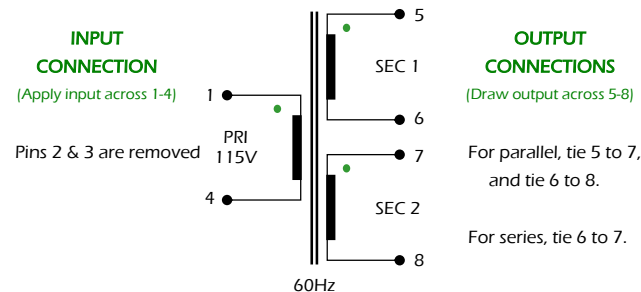
SEC Label

(*YYWW" replaced by current date code)

Dimensions are for reference only.

MODEL	Series Rating	Parallel Rating
SPW-400-S	10VCT @ 0.250A	5V @ 0.500A
SPW-401-S	12.6VCT @ 0.200A	6.3V @ 0.400A
SPW-402-S	16VCT @ 0.150A	8V @ 0.300A
SPW-403-S	20VCT @ 0.120A	10V @ 0.240A
SPW-404-S	24VCT @ 0.100A	12V @ 0.200A
SPW-405-S	28VCT @ 0.085A	14V @ 0.170A
SPW-406-S	36VCT @ 0.065A	18V @ 0.130A
SPW-407-S	48VCT @ 0.050A	24V @ 0.100A
SPW-408-S	56VCT @ 0.045A	28V @ 0.090A
SPW-409-S	120VCT @ 0.020A	60V @ 0.040A

SEC 1 and SEC 2 must ALWAYS be inter-connected, either in parallel or series.



CERTIFICATIONS & DECLARATIONS

- * **UL 5085-2** General Purpose recognized (E47299).
- * **CSA C22.2 #66** Certified (063944).

NOTE: Providing external circuit protection (ie. fusing) to comply with safety agency requirements in the application is the responsibility of the customer.

- * **UL 1446** Recognized Class B (130°C) Insulation System (File E95662).

- * **RoHS** and **REACH** Compliant.

- * California **Prop 65** warning:

These products may contain chemicals known to the State of California to cause cancer, and birth defects or other reproductive harm.

REV	DATE	DESCRIPTION	BY
0	31-May-2021	Acquired from Prem Magnetics. Released for Production.	SDE

115V 60Hz
2.4VA



A PowerVolt Group Company
Bellevue, Iowa 52031 USA
ISO 9001 Registered since 1998