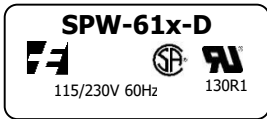
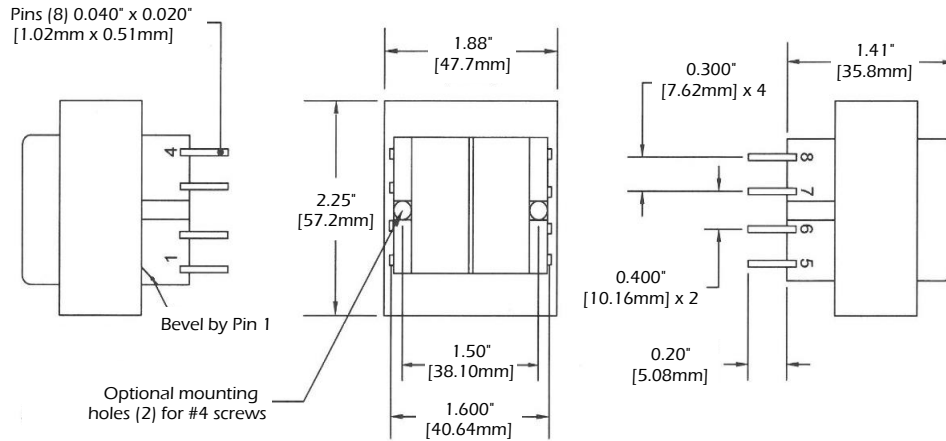


SPW-610-D

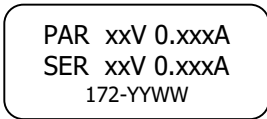
SPW-610-D Series Features:

- * Rating: 20VA
- * 115/230V 60Hz dual (series/parallel) inputs & outputs, (see schematic notes below).
- * Side-by-side input and outputs (no electrostatic shield required).
- * 100% tested for PRI-SEC hi-pot at 2500VAC, PRI-Core & SEC-Core at 1800VAC.
- * Coated to resist dust and moisture.



PRI Label

"x" is replaced by last digit of model number



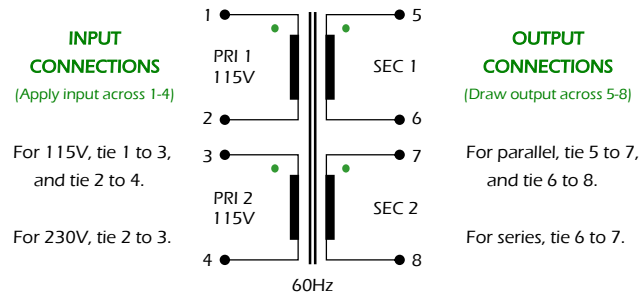
SEC Label

(*YYWW" replaced by current date code)

Dimensions are for reference only.

| MODEL | Series Rating | Parallel Rating |
|-----------|-----------------|-----------------|
| SPW-610-D | 10VCT @ 2.00A | 5V @ 4.00A |
| SPW-611-D | 12.6VCT @ 1.60A | 6.3V @ 3.20A |
| SPW-612-D | 16VCT @ 1.25A | 8V @ 2.50A |
| SPW-613-D | 20VCT @ 1.00A | 10V @ 2.00A |
| SPW-614-D | 24VCT @ 0.80A | 12V @ 1.60A |
| SPW-615-D | 28VCT @ 0.70A | 14V @ 1.40A |
| SPW-616-D | 36VCT @ 0.55A | 18V @ 1.10A |
| SPW-617-D | 48VCT @ 0.40A | 24V @ 0.80A |
| SPW-618-D | 56VCT @ 0.35A | 28V @ 0.70A |
| SPW-619-D | 120VCT @ 0.16A | 60V @ 0.32A |

PRI 1 and PRI 2 must ALWAYS be inter-connected, either in parallel or series.
 SEC 1 and SEC 2 must ALWAYS be inter-connected, either in parallel or series.



CERTIFICATIONS & DECLARATIONS

- * **UL 5085-2** General Purpose recognized (E47299).
- * **CSA C22.2 #66** certified (063944).
- NOTE: Providing external circuit protection (ie. fusing) to comply with safety agency requirements in the application is the responsibility of the customer.*
- * **UL 1446** Recognized Class B (130°C) Insulation System (File E95662).
- * **RoHS** and **REACH** Compliant.
- * California **Prop 65** warning:

These products may contain chemicals known to the State of California to cause cancer, and birth defects or other reproductive harm.

| REV | DATE | DESCRIPTION | BY |
|-----|-------------|---|-----|
| 0 | 31-May-2021 | Acquired from Prem Magnetics. Released for Production. | SDE |

115/230V 60Hz
 20VA



A PowerVolt Group Company
 Bellevue, Iowa 52031 USA
 ISO 9001 Registered since 1998