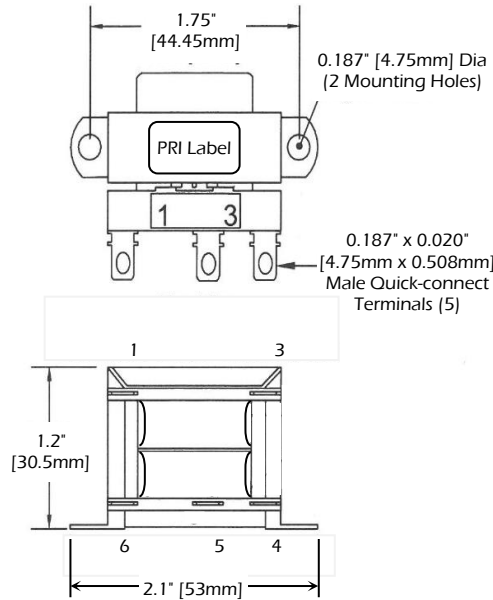


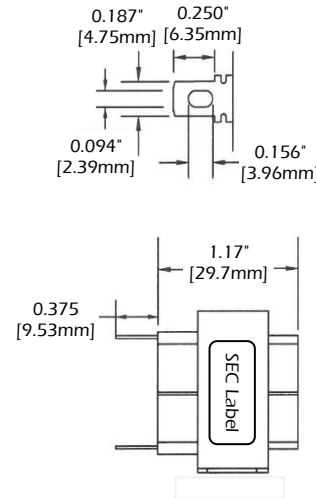
CSLP-24-400

CSLP-24-400 Series Features:

- * Rating: 2.4VA
- * 24V 60Hz input, center-tapped output, (see schematic notes below).
- * Side-by-side input and outputs (no electrostatic shield required).
- * 100% tested for PRI-SEC hi-pot at 2500VAC, PRI-Core & SEC-Core at 1800VAC.
- * Coated to resist dust and moisture.
- * Chassis-mounted version of SLP-24-400 Series (PCB pins & dual SEC).

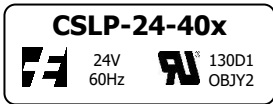


TERMINAL DETAIL



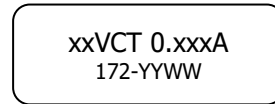
CERTIFICATIONS & DECLARATIONS

- * **UL/cUL 5085-2** General Purpose construction.
NOTE: Providing external circuit protection (i.e. fusing) to comply with safety agency requirements in the application is the responsibility of the customer.
- * **UL 1446** Recognized Class B (130°C) Insulation System (File E95662).
- * **RoHS** and **REACH** Compliant.
- * California **Prop 65** warning:
These products may contain chemicals known to the State of California to cause cancer, and birth defects or other reproductive harm.



PRI Label

"x" is replaced by last digit of model number



SEC Label

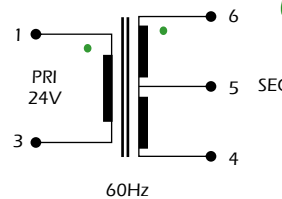
("YYWW" replaced by current date code)

Dimensions are for reference only.

MODEL	Output Rating	
CSLP-24-400	10VCT @ 0.250A	
CSLP-24-401	12.6VCT @ 0.200A	
CSLP-24-402	16VCT @ 0.150A	
CSLP-24-403	20VCT @ 0.120A	
CSLP-24-404	24VCT @ 0.100A	
CSLP-24-405	28VCT @ 0.085A	

INPUT CONNECTION
(Apply input across 1-3)

Terminal 2 is removed



OUTPUT CONNECTIONS
(Draw output across 4-6)

REV	DATE	DESCRIPTION	BY
0	31-May-2021	Acquired from Prem Magnetics. Released for Production.	SDE

24V 60Hz
2.4VA



A PowerVolt Group Company
Bellevue, Iowa 52031 USA
ISO 9001 Registered since 1998