

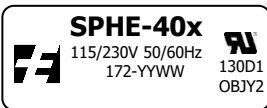
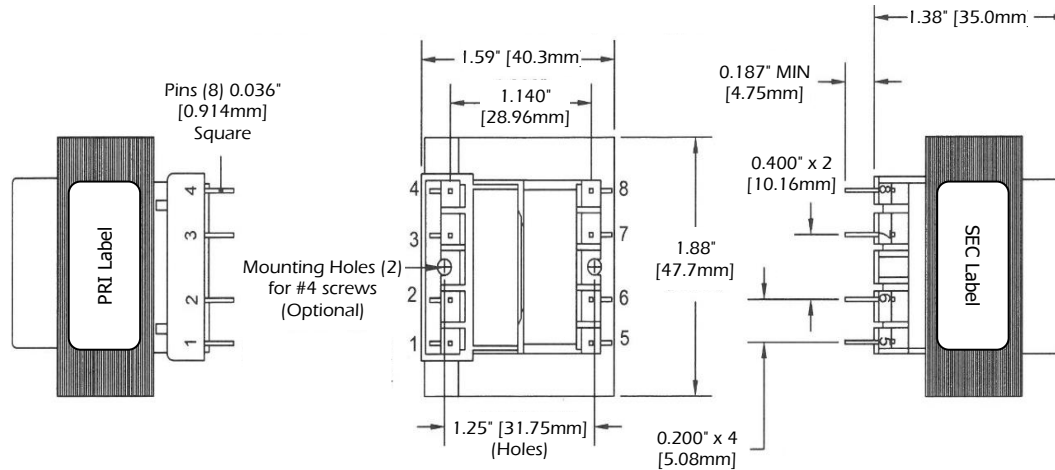
# SPHE-400

## CERTIFICATIONS & DECLARATIONS

- \* **UL/cUL 5085-2** and/or **-3, 60601-1, 62638** and **EN/IEC 61558** compliant construction.  
PRI-SEC: Reinforced insulation, 8mm Cr/Cl, Pollution degree 2, Material group IIIb.
- NOTE: Fusing these models to comply with safety agency requirements in the end product(s) is the responsibility of the customer.*
- \* Compliant with **Energy Star™** low input power consumption (< 0.3W) specification.  
Typical efficiency = 87%.
- \* **UL 1446** Class B (130°C) Insulation System (E95662).
- \* **RoHS** and **REACH** Compliant
- \* California **Prop 65** warning:  
*These products may contain chemicals known to the State of California to cause cancer, and birth defects or other reproductive harm.*

## SPHE-400 Series Features:

- \* Rating: 2.4VA
- \* Dual 115/230V inputs, dual (series/parallel) outputs, (see schematic notes below).
- \* US/Canada/International-capable.
- \* Flame-retardant bobbin/shroud (UL 94 V0).
- \* 100% tested for PRI-SEC hi-pot at 4000VAC.
- \* Side-by-side inputs and outputs (no electrostatic shield required).
- \* Coated to resist dust and moisture.



(\*x\* is replaced by the last digit of the model number)  
(\*YYWW\* is replaced by the current date code)

PRI Label

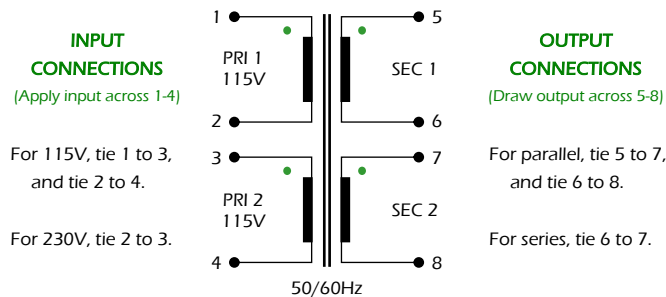
PAR xxV 0.xxxA  
SER xxV 0.xxxA

SEC Label

Dimensions are for reference only.

MODEL	Series Rating	Parallel Rating
SPHE-400	10VCT @ 0.250A	5V @ 0.500A
SPHE-401	12.6VCT @ 0.200A	6.3V @ 0.400A
SPHE-402	16VCT @ 0.150A	8V @ 0.300A
SPHE-403	20VCT @ 0.120A	10V @ 0.240A
SPHE-404	24VCT @ 0.100A	12V @ 0.200A
SPHE-405	28VCT @ 0.085A	14V @ 0.170A
SPHE-406	36VCT @ 0.065A	18V @ 0.130A
SPHE-407	48VCT @ 0.050A	24V @ 0.100A
SPHE-408	56VCT @ 0.045A	28V @ 0.090A
SPHE-409	120VCT @ 0.020A	60V @ 0.040A

PRI 1 and PRI 2 must ALWAYS be inter-connected, either in parallel or series.  
SEC 1 and SEC 2 must ALWAYS be inter-connected, either in parallel or series.



REV	DATE	DESCRIPTION	BY
0	31-May-2021	Acquired from Prem Magnetics. Released for Production.	SDE

115/230V 50/60Hz  
2.4VA



A PowerVolt Group Company  
Bellevue, Iowa 52031 USA  
ISO 9001 Registered since 1998