

SPHV-277-1000

CERTIFICATIONS & DECLARATIONS

* **UL 1446** Class B (130°C) Insulation System, File E95662

NOTE: Fusing these transformers to comply with safety agency requirements in the end product(s) is the responsibility of the customer.

* **RoHS and REACH** Compliant

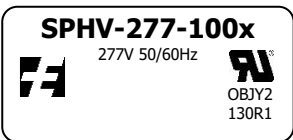
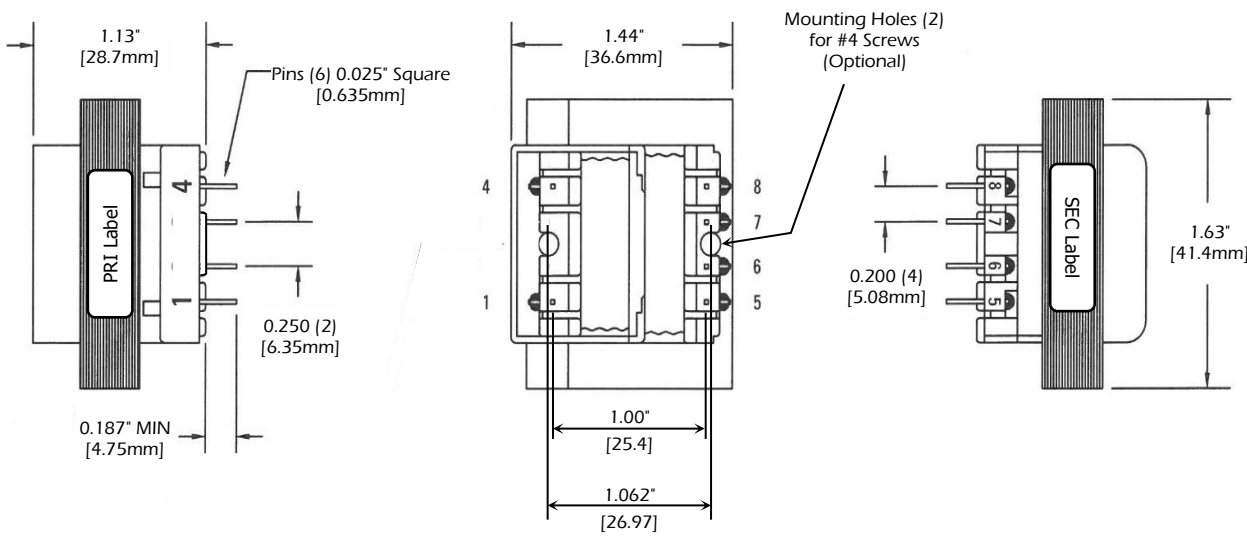
* California **Prop 65** warning:

These products may contain chemicals known to the State of California to cause cancer, and birth defects or other reproductive harm.

0	31-May-2021	Acquired from Prem Magnetics. Released for Production.	SDE
REV	DATE	DESCRIPTION	BY

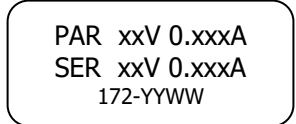
SPHV-277-1000 Series Features:

- * Rating: 2.5VA
- * Single 277V input, dual (series/parallel) outputs, (see schematic notes below).
- * US, Canada, and International-capable construction with shrouded PRI.
- * Flame-retardant bobbin/shroud (UL 94 V0).
- * 100% tested for PRI-SEC hi-pot at 4000VAC.
- * Side-by-side inputs and outputs (no electrostatic shield required).
- * Coated to resist dust and moisture.
- * Same pin layout as SPW-1000 Series (115/230V inputs).



PRI Label

"x" is replaced by last digit of model number



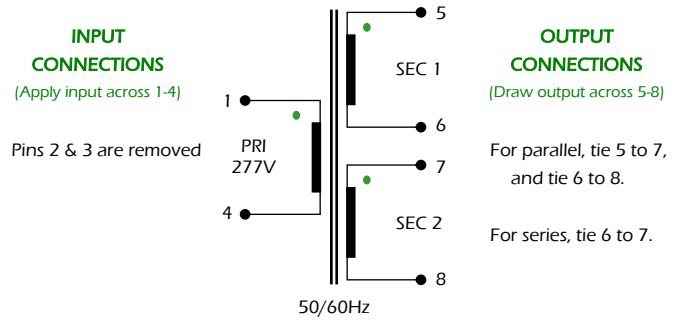
SEC Label

(*YYWW" replaced by current date code)

Dimensions are for reference only.

MODEL	Series Rating	Parallel Rating
SPHV-277-1000	10VCT @ 0.250A	5V @ 0.500A
SPHV-277-1001	12.6VCT @ 0.200A	6.3V @ 0.400A
SPHV-277-1002	16VCT @ 0.150A	8V @ 0.300A
SPHV-277-1003	20VCT @ 0.120A	10V @ 0.240A
SPHV-277-1004	24VCT @ 0.100A	12V @ 0.200A
SPHV-277-1005	28VCT @ 0.090A	14V @ 0.180A
SPHV-277-1006	36VCT @ 0.070A	18V @ 0.140A
SPHV-277-1007	48VCT @ 0.052A	24V @ 0.104A
SPHV-277-1008	56VCT @ 0.045A	28V @ 0.090A
SPHV-277-1009	120VAC @ 0.021A	60V @ 0.042A

SEC 1 and SEC 2 must ALWAYS be inter-connected, either in parallel or series.



277V 50/60Hz
2.5VA



A PowerVolt Group Company
Bellevue, Iowa 52031 USA
ISO 9001 Registered since 1998