

SPHV-277-1300

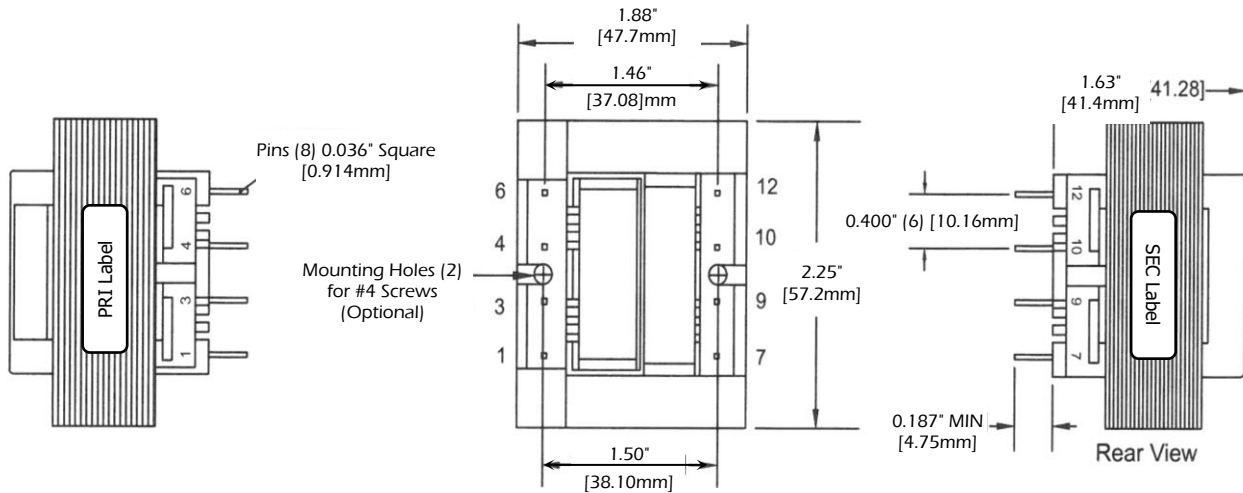
CERTIFICATIONS & DECLARATIONS

- * **UL 1446** Class B (130°C) Insulation System, File E95662
- NOTE: Fusing these transformers to comply with safety agency requirements in the end product(s) is the responsibility of the customer.*
- * **RoHS** and **REACH** Compliant
- * California **Prop 65** warning:
These products may contain chemicals known to the State of California to cause cancer, and birth defects or other reproductive harm.

0	31-May-2021	Acquired from Prem Magnetics. Released for Production.	SDE
REV	DATE	DESCRIPTION	BY

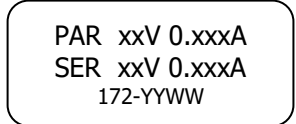
SPHV-277-1300 Series Features:

- * Rating: 20VA
- * Single 277V input, dual (series/parallel) outputs, (see schematic notes below).
- * US, Canada, and International-capable construction with shrouded PRI.
- * Flame-retardant bobbin/shroud (UL 94 V0).
- * 100% tested for PRI-SEC hi-pot at 4000VAC.
- * Side-by-side inputs and outputs (no electrostatic shield required).
- * Coated to resist dust and moisture.
- * Same pin layout as SPW-1300 Series (115/230V inputs).



PRI Label

"x" is replaced by last digit of model number



SEC Label

(*YYWW" replaced by current date code)

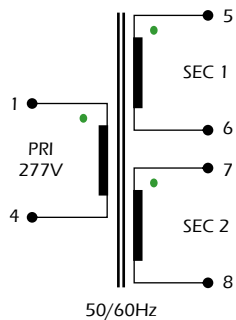
Dimensions are for reference only.

MODEL	Series Rating	Parallel Rating
SPHV-277-1300	10VCT @ 2.000A	5V @ 4.000A
SPHV-277-1301	12.6VCT @ 1.600A	6.3V @ 3.200A
SPHV-277-1302	16VCT @ 1.250A	8V @ 2.500A
SPHV-277-1303	20VCT @ 1.000A	10V @ 2.000A
SPHV-277-1304	24VCT @ 0.830A	12V @ 1.660A
SPHV-277-1305	28VCT @ 0.720A	14V @ 1.440A
SPHV-277-1306	36VCT @ 0.560A	18V @ 1.120A
SPHV-277-1307	48VCT @ 0.420A	24V @ 0.840A
SPHV-277-1308	56VCT @ 0.355A	28V @ 0.710A
SPHV-277-1309	120VAC @ 0.170A	60V @ 0.340A

SEC 1 and SEC 2 must ALWAYS be inter-connected, either in parallel or series.

INPUT CONNECTIONS
(Apply input across 1-4)

Pins 2 & 3 are present but not connected.



OUTPUT CONNECTIONS
(Draw output across 5-8)

For parallel, tie 5 to 7, and tie 6 to 8.

For series, tie 6 to 7.

277V 50/60Hz
20VA



A PowerVolt Group Company
Bellevue, Iowa 52031 USA
ISO 9001 Registered since 1998