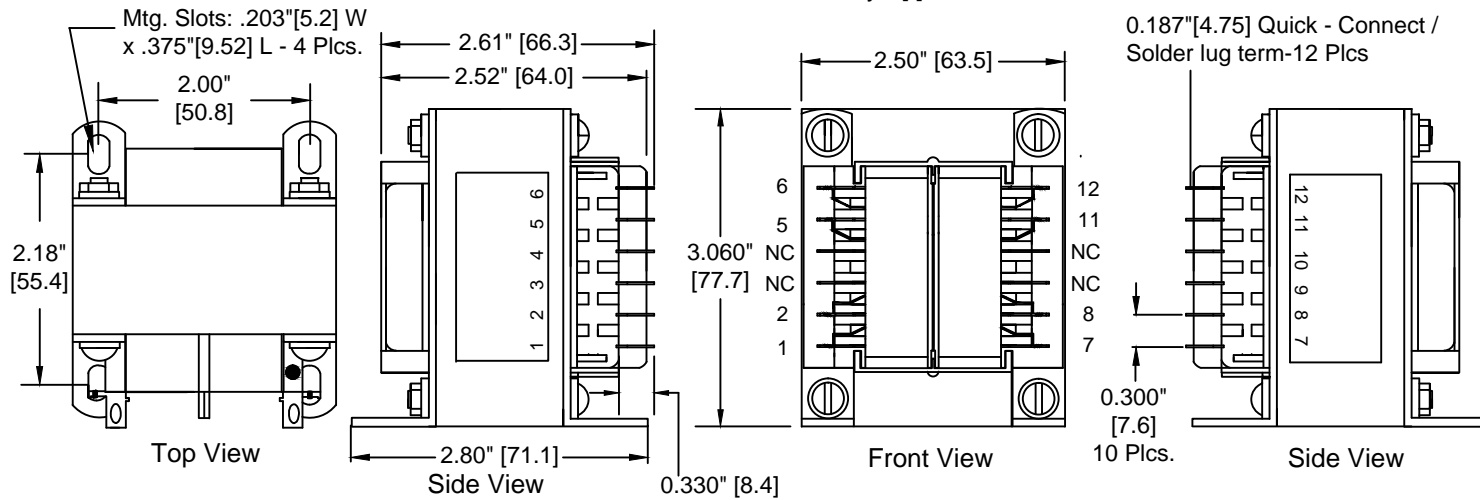


SPWC-1600 Series: 80 VA International Chassis Mount Power transformers with dual 115/230V primaries and dual secondaries. These transformers are designed to provide the high isolation, creepage and clearance distances necessary to comply with international safety standards.

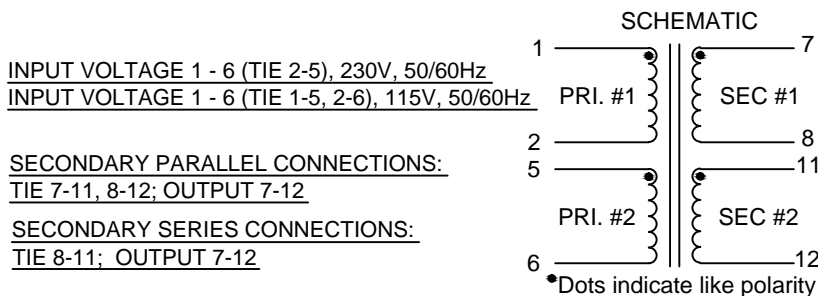
- Dielectric Strength - 4500Vrms Hipot primary - secondary
- Dual Primaries (must be used either Series or Parallel connected as one winding) 115/230V, 50/60Hz
- Insulation System - Class F (155°C), UL 1446 (File E85315)
- Shrouded primary and secondary, Dual bobbin construction, no electrostatic shield required
- 100% Final Tested - Every transformer is tested on automated panels for induced voltage (shorted turns), exciting current, open circuit voltage (turns ratio), polarity (phasing) and dielectric strength
- Dual Secondaries - Series or Parallel
- Immersed in 100% solids epoxy resin to withstand most aqueous and solvent cleaning systems
- Flammability - Dual Bobbins and Shroud Material meets UL 94-VO
- Terminals - Solder Lug/Quick connect type - 0.187"
- Other primary and secondary voltages may be custom designed

All dimensions for reference only. [ ]=mm



PRIMARY AND SECONDARY WINDINGS ARE DESIGNED TO BE USED AS ONE PRIMARY AND ONE SECONDARY WINDING WITH EITHER PARALLEL OR SERIES CONNECTION ONLY.

RMS RATING WITH SECONDARIES CONNECTED IN:



| Part Number | VA | CONNECTED IN:  |              |
|-------------|----|----------------|--------------|
|             |    | Series         | Parallel     |
| SPWC-1600   | 80 | 10Vct @ 8.0A   | 5V @ 16.0A   |
| SPWC-1601   | 80 | 12.6Vct @ 6.3A | 6.3V @ 12.6A |
| SPWC-1602   | 80 | 16Vct @ 5.0A   | 8V @ 10.0A   |
| SPWC-1603   | 80 | 20Vct @ 4.0A   | 10V @ 8.0A   |
| SPWC-1604   | 80 | 24Vct @ 3.3A   | 12V @ 6.6A   |
| SPWC-1605   | 80 | 28Vct @ 2.8A   | 14V @ 5.6A   |
| SPWC-1606   | 80 | 36Vct @ 2.2A   | 18V @ 4.4A   |
| SPWC-1607   | 80 | 230Vct @ 350mA | 115V @ 700mA |

THE DESIGN OF THIS PART IS INTENDED TO MEET THE LISTED SAFETY AGENCY REQUIREMENTS. PREM HAS NOT HAD THIS PART REVIEWED, APPROVED OR LISTED BY ANY SAFETY AGENCY.

- PRI TO SEC INSULATION: REINFORCED
- PRI TO SEC CREEPAGE: 10mm MIN. (MATERIAL GROUP IIIb)
- PRI TO SEC CLEARANCE: 10mm MIN.

## SPWC-1600 Series

### Notes

Designed to meet:  
 -UL 60950  
 -VDE 0805 (EN 60950)

FUSING THE TRANSFORMER TO MEET SAFETY AGENCY REQUIREMENTS IS THE RESPONSIBILITY OF THE CUSTOMER.

|    |                              |          |
|----|------------------------------|----------|
| -4 | Correct slot width           | 10-13-15 |
| -3 | Added Bullets                | 3-12-15  |
| -2 | Chg. to Arial & 2.52" [64.0] | 2-2-15   |
| -1 | Chg. mm=[]                   | 12-4-14  |

**PREM**  
 MAGNETICS INCORPORATED  
 3521 N. CHAPEL HILL RD.  
 JOHNSBURG, IL 60050

**PREM PART SPWC-1600  
 INTERNATIONAL CHASSIS  
 SERIES**

Approved: **R. RANDOW**

Scale: **None**

Date: **09/23/2011**