

SPWC-4500

CERTIFICATIONS & DECLARATIONS

* **UL/cUL 5085-2** and/or **-3, 60601-1, 62638** and **EN/IEC 61558** compliant construction.

NOTE: Safety agency recognitions require an external fuse to be added by the customer in the input circuit. If configured for 115V input, Littelfuse 218.100. If configured for 230V input, Littelfuse 218.050.

* **UL 1446** Class F (155°C) Insulation System, File E95662

* **RoHS** and **REACH** Compliant

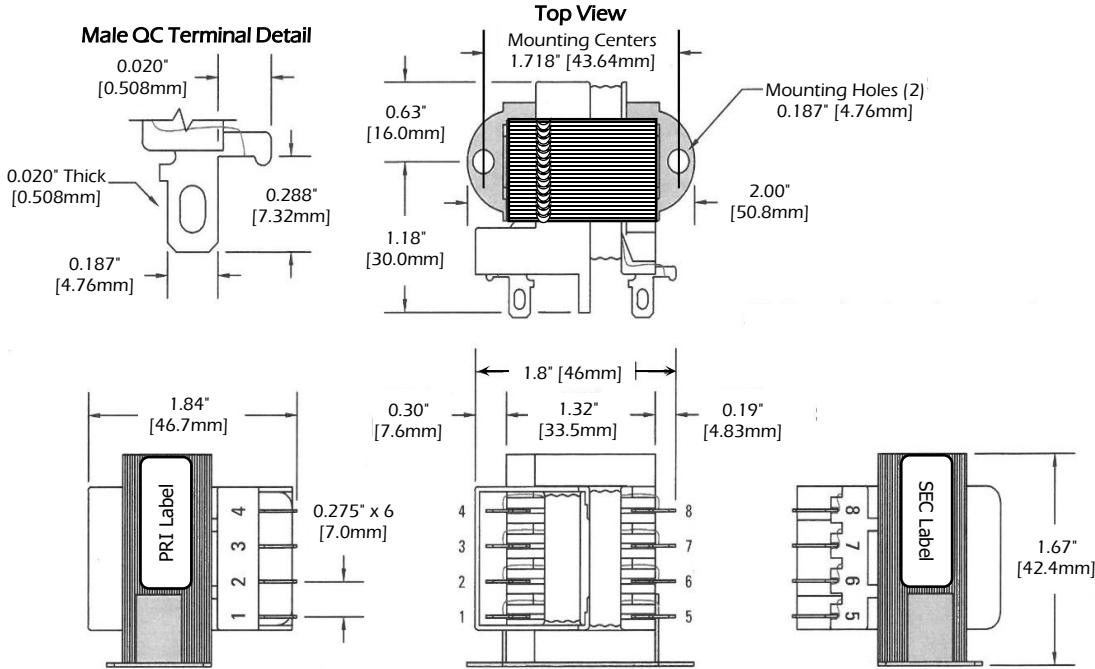
* California **Prop 65** warning:

These products may contain chemicals known to the State of California to cause cancer, and birth defects or other reproductive harm.

1	7-Jul-2023	Upgraded from Class B to Class F.	SDE
0	31-May-2021	Acquired from Prem Magnetics. Released for Production.	SDE
REV	DATE	DESCRIPTION	BY

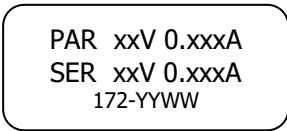
SPWC-4500 Series Features:

- * Rating: 6.0VA
- * Dual 115/230V inputs, dual (series/parallel) outputs, (see schematic notes below).
- * US/Canada/International-capable.
- * Flame-retardant bobbin/shroud (UL 94 V0).
- * 100% tested for PRI-SEC hi-pot at 4000VAC.
- * Side-by-side inputs and outputs (no electrostatic shield required).
- * Coated to resist dust and moisture.
- * Male 3/16" x 0.020" Quick-connect (OC) terminals, with slots for optional soldering.



(*xx* is replaced by last 2 digits of the model number)

PRI Label



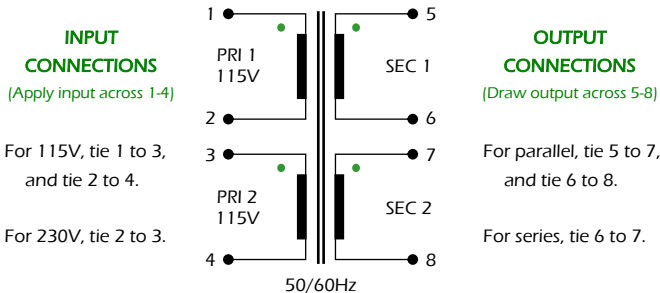
(*YYWW* is replaced by current date code)

SEC Label

Dimensions are for reference only.

MODEL	Series Rating	Parallel Rating
SPWC-4500	10VCT @ 0.600A	5V @ 1.200A
SPWC-4501	12.6VCT @ 0.500A	6.3V @ 1.000A
SPWC-4502	16VCT @ 0.400A	8V @ 0.800A
SPWC-4503	20VCT @ 0.300A	10V @ 0.600A
SPWC-4504	24VCT @ 0.250A	12V @ 0.500A
SPWC-4505	28VCT @ 0.200A	14V @ 0.400A
SPWC-4506	36VCT @ 0.170A	18V @ 0.340A
SPWC-4507	48VCT @ 0.125A	24V @ 0.250A
SPWC-4508	56VCT @ 0.110A	28V @ 0.220A
SPWC-4509	120VCT @ 0.050A	60V @ 0.100A
SPWC-4510	230VCT @ 0.026A	115V @ 0.052A

PRI 1 and PRI 2 must ALWAYS be inter-connected, either in parallel or series.
SEC 1 and SEC 2 must ALWAYS be inter-connected, either in parallel or series.



115/230V 50/60Hz
6.0VA



A PowerVolt Group Company
Bellevue, Iowa 52031 USA
ISO 9001 Registered since 1998